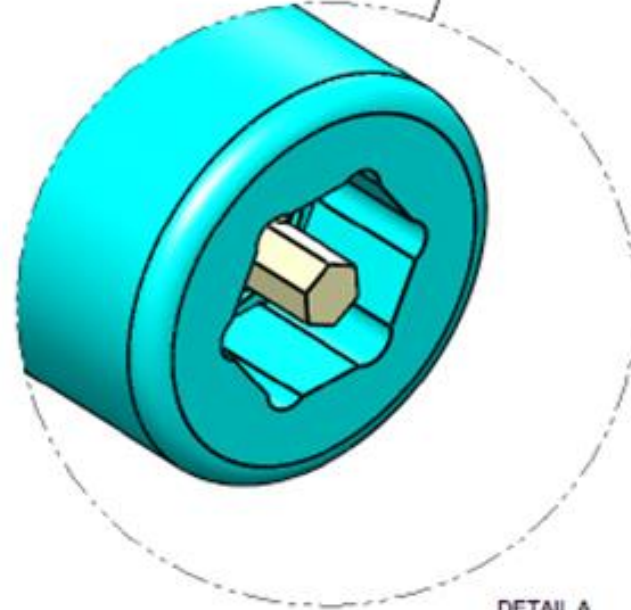
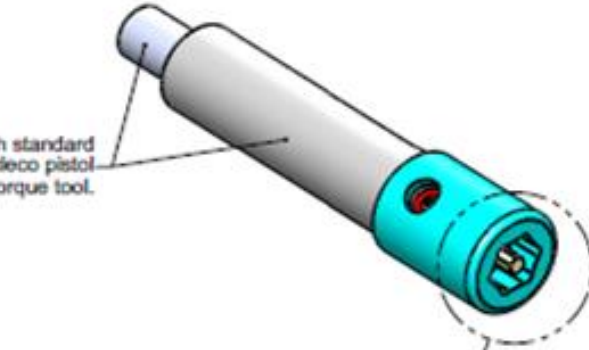


For use with standard round body dieco pistol grip torque tool.



DETAIL A SCALE 4 : 1



<p>HEAT TREAT:</p>	<p>FINISH</p>	<p>SCALE UNLESS OTHERWISE NOTED 5:4</p>	<p>MATERIAL:</p>
<p>MACHINING NOTES ✓44 Surface finish or better Break sharp edges and corners unless otherwise stated.</p>	<p>EXCEPT FOR USES EXPRESSLY GRANTED HEREON, ALL DIMENSIONS, FINISHES, MATERIALS, FABRICATOR'S USE, MANUFACTURER'S USE, DIMENSIONS AND TOLERANCES ARE GOVERNED BY THE FABRICATOR'S PARTS DRAWING.</p>	<p>CENTRIX, LLC 5858 So 194th St Kent, WA 98032 Ph: 253-872-4273 Fax: 253-995-7988 www.CENTRIX.ILC.com</p>	<p>.XXX = ±.005 .XX = ±.02 .X = ±.1 X* = ±.2"</p>
<p>ADAPTER TOOL Description: Installation/Removal tool Flopper Adapter Tool Usage</p>		<p>SHEET 1 of 1</p>	